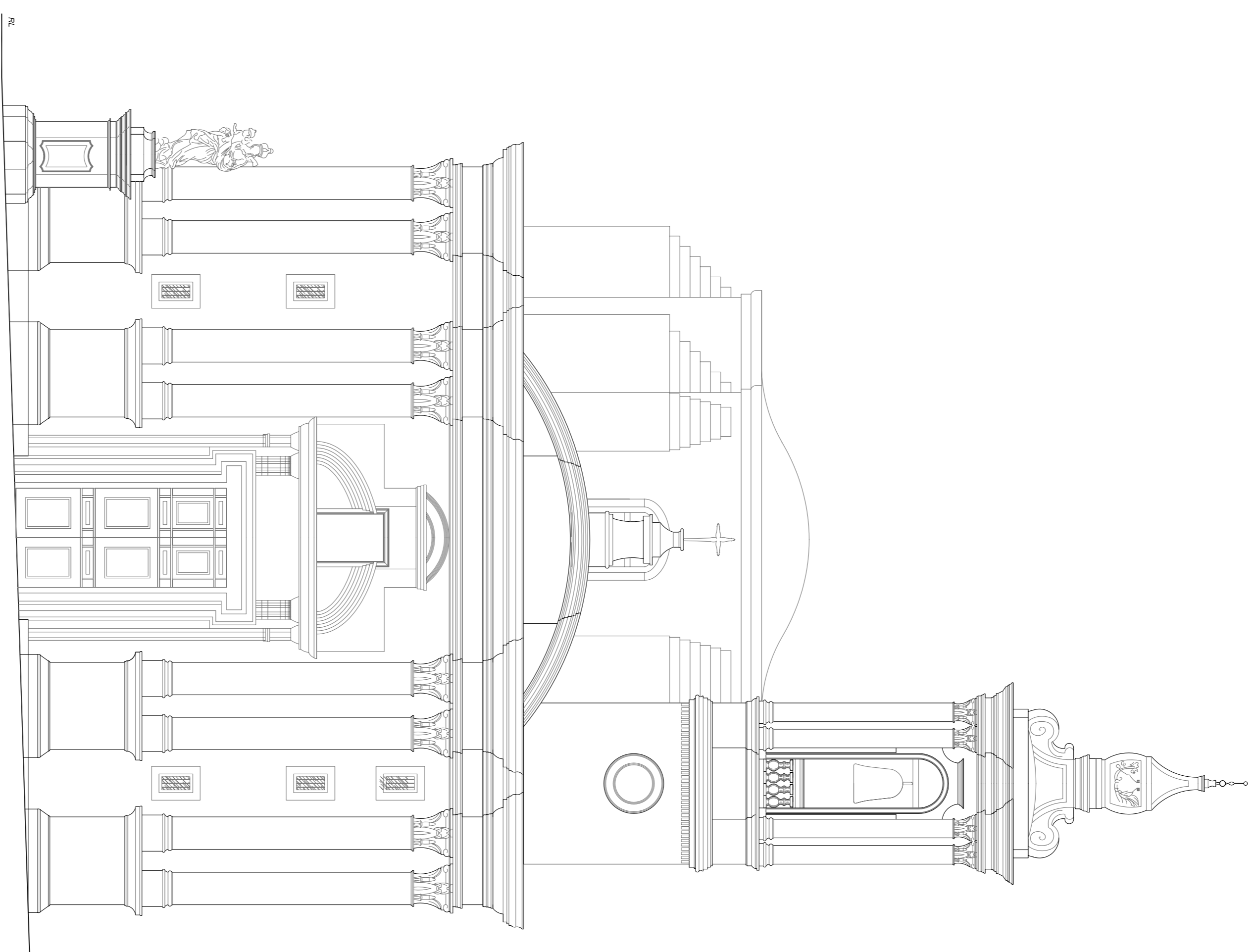
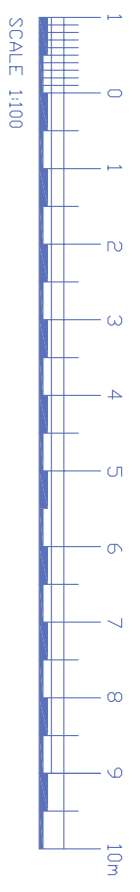


St. Peter's street
Side Elevation
1:1000



Villegagnion street
Main Elevation
1:1000



SCALE 1:100



Architects, Planners, Engineers
Project Managers

JOHN B. FARBUQIA A. & C.E.
107, Jaseri's Valley Rd,
Nesha MSD 13

Tel: 21484734 Fax: 21498853
website: <http://www.seecoa.com>

SIGNATURE
John B. Farbuqia A & CE

DRAWING DETAILS

Drawing Title	Project
Front (Villegagnion St and Side (St Peter St)) Elevations	Carmelite Church
Client	Carmelite Fathers
Location	Malta
Drawn By	jam
Checked	jf
Date	25-11-2011
Drawing Ref	F-350
Drawing No	3
Scale	1:1000
REV	REV

REVISION ISSUE

Rev	Date	Description

NOTES

Copyright Act (Chapter 415 of the Laws of Malta) applies in as far as measured works and their reproduction thereof are concerned